

WHISPER® XL AC

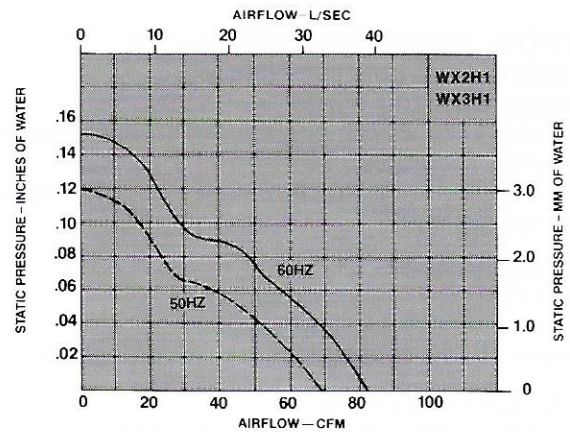
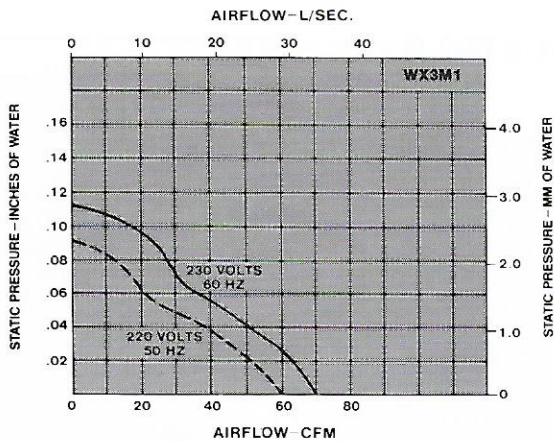
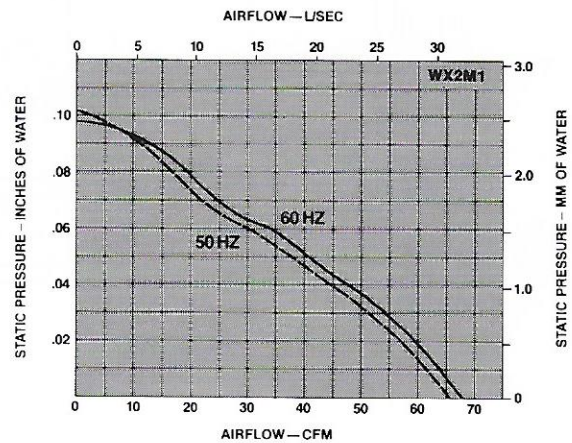
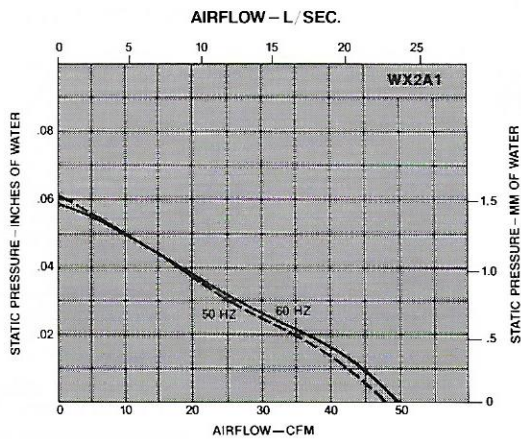
TUBEAXIAL FAN

FEATURES

- Size - 4.69" square x 1.54" deep (119.13 mm x 39.12 mm)
- 50 to 83 CFM (23.5 to 40.0 L/Sec.)
- 115 VAC or 220/230 VAC, 1 phase, 50/60 Hz
- Feathered Edge™ for lower noise
- Operating temperature range: -28°C to +70°C
- Weight - 21 oz. (.61 Kg)
- UL Yellow Card Recognized - File No. E31293 - all models
- CSA Certified - File No. LR52898 - all models
- VDE Marks License, No. 1126 - all models



PERFORMANCE

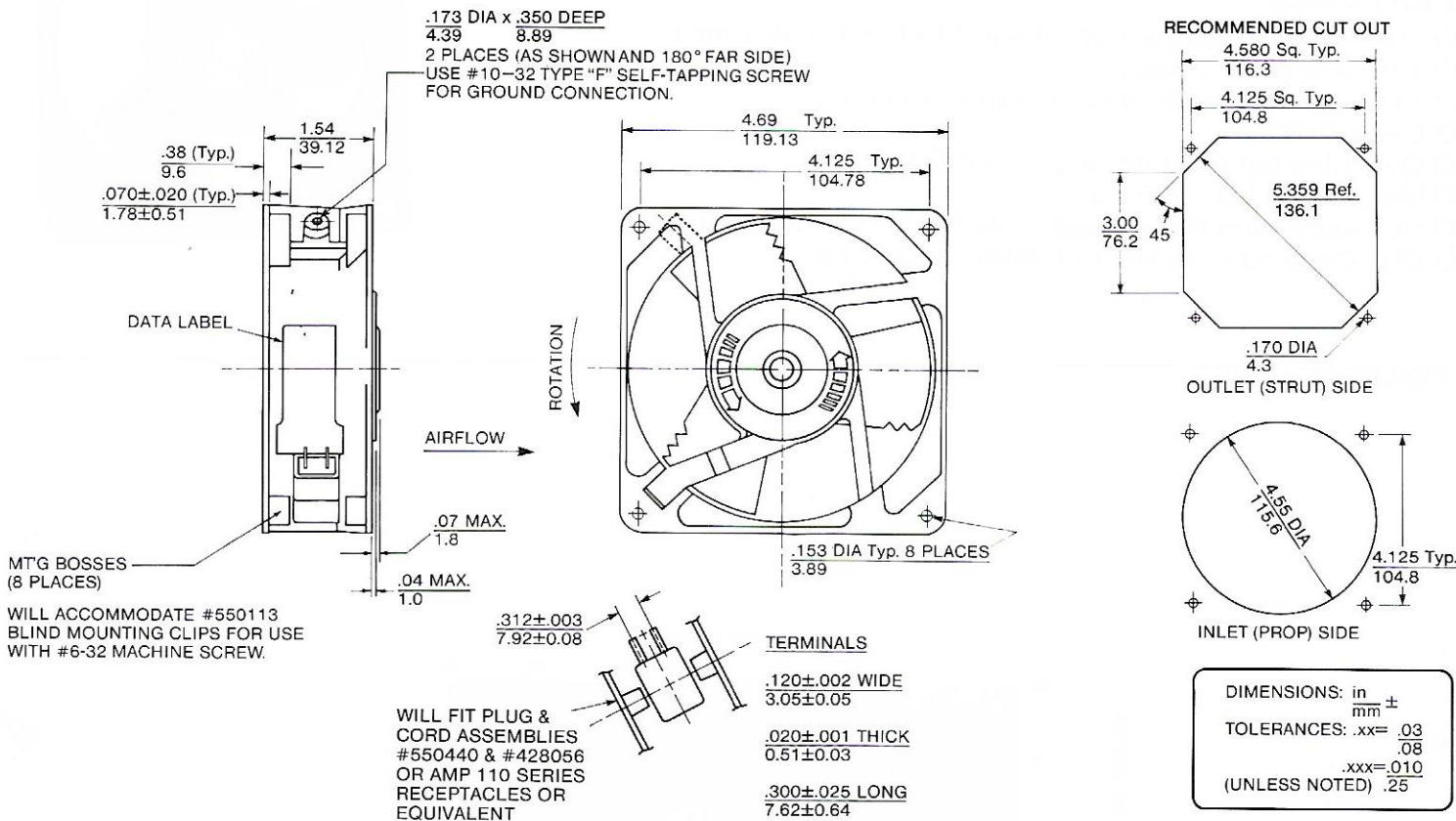


SPECIFICATIONS

Model No.	Part No.	Bearing	Volts	Hz	Watts	Line Amps	Locked Rotor Amps	RPM	CFM	L/Sec.
*WX2A1	028778	Sleeve	115	50/60	6/6	.07/.06	.08/.07	1450/1500	48/50	22.5/23.5
*WX2M1	028322	Sleeve	115	50/60	10/9	.11/.10	.12/.11	1900/2000	65/70	30.7/33.0
*WX3M1	028330	Sleeve	220/230	50/60	12/11	.07/.06	.07/.06	1800/2000	60/70	28.0/33.0
*WX2H1	028858	Sleeve	115	50/60	15/13	.19/.15	.20/.17	2200/2500	70/83	33.0/40.0
*WX3H1	028860	Sleeve	220/230	50/60	14/13	.10/.09	.11/.10	2200/2500	70/83	33.0/40.0

* Distributor Item.

All figures are nominal free delivery values at sea level.



Specifications subject to change without notice.

MOTOR

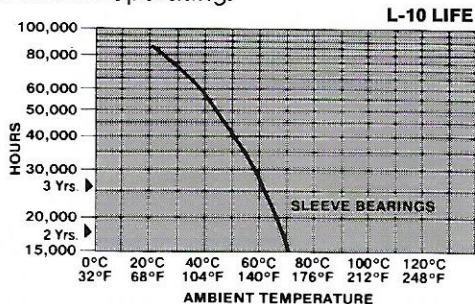
Two-pole shaded pole induction motor.
Insulation IEEE class 130.
Sintered bronze sleeve bearings
Impedance protected.
100% dielectric tested at 1800 VAC/1 sec./500 microamps maximum leakage

CONSTRUCTION

Venturi and Spider - zinc alloy, painted black
Propeller - flame retardant polypropylene with patented Feathered Edge™.

LIFE EXPECTANCY

The curve represents the continuous duty life of Whisper XL fans at a given temperature, after which 90% of the units will still be operating.



EXAMPLE: When run in 40°C ambient. 90% of sleeve bearing units will still be running after 55,000 hours continuous duty.

ACOUSTIC RATINGS

Models	HZ	AIR FLOW		STATIC PRESSURE		PER INCE ANSI S12.11-1987			FREELY SUSPENDED @ 1 METER
		CFM	L/Sec	"w.g.	mm H ₂ O	PSIL dB	SPL dBA @ 3'	NEPL Bels 'A'	dBA
WX2A1	50	48	22.7	0	0	29.1	35.3	4.65	29.7
		32	15.1	0.022	0.56	26.0	32.0	4.41	
	60	50	23.6	0	0	30.0	37.1	4.71	31.2
WX2M1	50	26	12.3	0.025	0.64	24.0	30.1	4.34	
		65	30.7	0	0	31.2	37.4	4.74	33.9
	60	45	21.2	0.04	1.02	29.0	35.1	4.59	
WX3M1	50	70	33.0	0	0	32.3	38.6	4.88	34.5
		44	20.8	0.045	1.14	28.9	34.9	4.56	
	60	60	28.3	0	0	34.4	41.4	5.14	37.6
WX2H1 WX3H1	50	38	17.9	0.05	1.27	27.4	34.1	4.51	
		70	33.0	0	0	32.3	38.6	4.88	34.5
	60	47	22.2	0.045	1.14	30.0	37.1	4.71	
WX2H1 WX3H1	60	70	33.0	0	0	31.3	37.7	4.77	34.0
		40	18.9	0.055	1.40	28.0	34.8	4.48	
		83	39.2	0	0	35.0	40.2	5.04	37.1
		50	23.6	0.065	1.65	34.0	41.7	5.17	

OPTIONS

Capable of furnishing:
.187 terminals
Harness assemblies
Reverse flow models
Leadwire versions